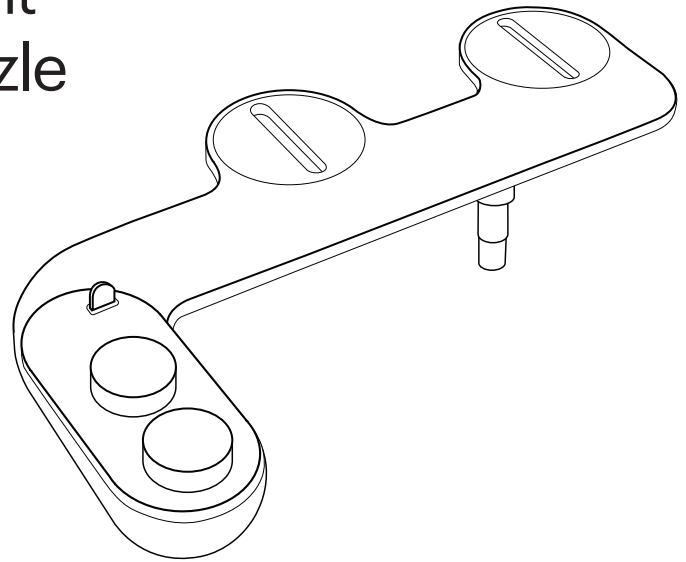


Brondell®

FreshSpa Thinline Advanced Bidet Attachment with Adjustable Single Nozzle

Model: FSA-25



Features

- Warm and cool water washes
- Side-arm control with easy nozzle adjuster
- Slim 0.33" frame
- Adjustable water temperature and pressure
- Simple, DIY installation—universal adjustable fit
- No batteries or electricity required
- Hygienic, retractable nozzle
- On demand, self-cleaning nozzle
- Braided-metal cold water hose and all-metal $\frac{1}{8}$ " and $\frac{3}{8}$ " T-Valves
- ABS plastic frame with metal and ceramic components
- High-temperature hot water flex tubing
- 1-year limited warranty provided by U.S. based customer service

Technical Specifications

Dimensions (L x W x H)	15.43" x 9.96" x 3.33" / 39.2 cm x 25.3 cm x 8.45 cm
Product Thickness	0.33" / 0.85 cm
Weight	1.71 lbs / 0.76 kg
Hot Water Flex Tubing Length	78.74" / 200 cm
Hot Water Flex Tube Rating	115 psi / 158°F / 0.79 MPa / 60°C
Supply Water Pressure	14.5 psi–116.03 psi / 0.05 MPa–0.8 MPa
Incoming Water Temperature Range	32°F–158°F / 0°C–70°C
Flow Rate	0.39 gal/min / 1.47 L/min
Internal Valve Material	Brass and Nylon
Internal Valve Type	Ceramic
Bidet Hose Length	23.62" / 60 cm
Bidet Hose Fitting/Connection Size	$\frac{3}{8}$ " x $\frac{3}{8}$ "
Cold Water T-Valve Connection Size	$\frac{1}{8}$ " x $\frac{1}{8}$ " x $\frac{3}{8}$ "
Hot Water T-Valve Connection Size	$\frac{3}{8}$ " x $\frac{3}{8}$ " x $\frac{3}{8}$ "

NOTE: The specifications listed above are subject to change without prior notice for reasons of improving the product performance.

#22FSA25_0715

Brondell®
Feels better already.

Brondell, Inc.
PO Box 470085
San Francisco, CA 94147
brondell.com