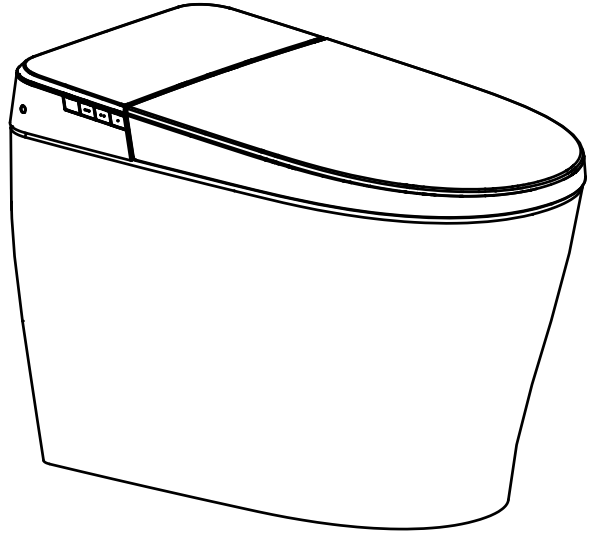


Brondell®

Sutro Integrated Smart Bidet Toilet

Model: IBT-1000



Features

Ceramic Water Heater System Provides Endless Warm Water

Fully Adjustable Water Temperature and Pressure

Auto Flush

Auto-Open/Close Lid and Remote-Controlled Seat

Heated Seat with 6 Warmth Levels

Built-In Carbon Deodorizer

Advanced Warm Air Dryer with 3 Fan Speeds and Adjustable Temperature

Automatic LED Nightlight with On/Off Option

Dual, Self-Cleaning Retractable Nozzles with UV NozzleClean

Five Nozzle Positions

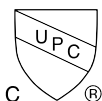
Nozzle Oscillation

Wireless Remote Control with Mount

3-Year Limited Warranty

Technical Specifications

Power Voltage / Frequency	120 V / 60 Hz
Max Power Consumption	1050 W
Power Cord Length	47.24" / 120 cm
Rated Power Source	120 V
Remote Control Battery Type / Quantity	AAA Batteries (2)
Seat Weight Limit	440.93 lb / 200 kg
Lid Weight Limit	440.93 lb / 200 kg
Deodorizer Filter Type / Filter Life	Catalytic Carbon / lifetime



NOTE: The specifications listed above are subject to change without prior notice for reasons of improving the product performance.

Brondell®
Feels better already.

Brondell, Inc.
PO Box 470085
San Francisco, CA 94147
brondell.com

Brondell®

Weight and Dimensions	
Dimensions (L x W x H)	26.9" x 15.16" x 18.7" / 68.3 cm x 38.4 cm x 47.4 cm
Seat Thickness	0.79" / 2 cm
Bidet Hose Length	19.7" / 50 cm
Bidet Hose Connection Size	1/2" x 1/2"
T-Valve Connection Size	1/2" x 1/2" x 11/16-20UN T-Valve
Weight	99.2 lb / 45 kg

Warm Water Washing Device	
Supply Water Pressure	35 psi–98 psi / 0.24 MPa–0.67 MPa
Incoming Water Temperature	41° F–104° F / 5°C–40°C
Flow Rate	Rear Wash: 0.155 gal/min / 0.59 L/min Front Wash: 0.161 gal/min / 0.61 L/min
Default Cycle Time	4 Minutes
Water Pressure Control	5 Levels
Water Temperature Control	Level 1 = 87.8°F / 31°C; Level 2 = 91.4°F / 33°C; Level 3 = 95.0°F / 35°C; Level 4 = 98.6°F / 37°C; Level 5 = 102.2°F / 39°C
Max Heater Power Consumption	1050 W
Safety Devices	Butterfly Thermostat, Thermal Fuse, Flow Sensor

Heated Seat and Air Dryer	
Seat Temperature Control	Level 1 - Room Temp; Level 2 - 86°F / 30°C; Level 3 - 89.6°F / 32°C; Level 4 - 93.2°F / 34°C; Level 5 - 96.8°F / 36°C; Level 6 - 102.2°F / 39°C
Max Seat Heater Power Consumption	40 W
Number of Dryer Settings	4 levels: Off, Low, Med, High; 93.2°F - 131°F / 34°C - 55°C (range will vary on surrounding air temperature)
Default Dryer Cycle Time	4 Minutes
Safety Devices	Thermal Fuse, Bi-Metal
Flush Specifications	1.2 gpf / 4.8 lpf. Flush Type: High-Performance Siphon and Dual Jet. Rough-In: 12" MaP Flush Rating: 1000g

Get the right fit.

Please use measuring guide to ensure adequate space for installation. Sutro requires the centerline of floor drain to be 12" from the finished back wall, and a minimum clearance of 15" from the side of Sutro to the closest wall or fixture. There should be at least 21" of clearance in front of the Sutro. The minimum operating water pressure for Sutro is 35 psi.

