

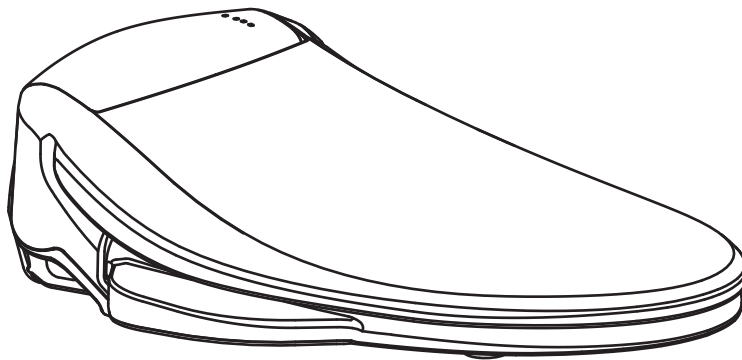


Swash[®] 450 / 550

high-tech toilet seat

OWNER'S MANUAL

Round S450-RW / RB, S550-RW / RB
Elongated S450-EW / EB, S550-EW / EB



**This manual contains important safety information.
Please read it carefully before product installation or use.**

NEVER PLUG IN THE PRODUCT BEFORE IT IS COMPLETELY INSTALLED

Important Safeguards



For safety reasons, please read this entire manual before use.



Danger - Possibility of Electric Shock!
Use the correct voltage according to the Specifications and connect to a three prong GFI grounded outlet.

Do not use harsh brushes or abrasive detergents to clean the Swash 450 / 550. Use only mild soap and a soft cloth for cleaning.

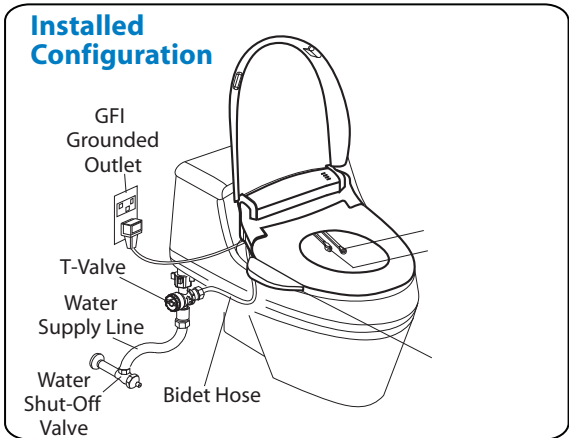
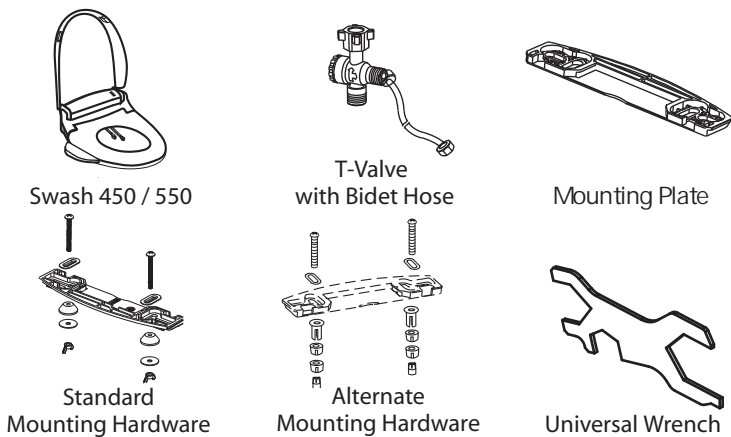
Please use caution and avoid spraying water directly on the Swash 450 / 550 or power cord. This could result in electric shock or fire.

Do not disassemble or modify the Swash 450 / 550. Only an authorized service representative should perform repairs.

Specifications

Model	S450-RW / RB S550-RW / RB	S450-EW / EB S550-EW / EB
Rated Power Source	AC 120V 60Hz 1400W	
Tap Water Pressure	0.5-7.5 kgf/cm ² (7 - 106 psi)	
Rated Power Consumption	1.5 kwh	
Seat Temperature	OFF: room temperature LOW: 36°C (97°F) MED: 38°C (100°F) HIGH: 40 C (104 F)	
Seat & Lid	Soft Closing	
Maximum Spray Volume	0.72 liter / min (0.2 gal / min)	
Water Temperature	OFF: room temperature LOW: 36°C (97°F) MED: 38°C (100°F) HIGH: 40 C (104 F)	
Dryer Temperature	LOW / MED / HIGH (available in Swash 550)	
Electrical Safety Protection	15 mA - GFI	
Power Cord Length	1.2 m (4 ft)	
Product Dimensions	17.1"W x 19"L x 6.0" H 433mm W x 483mm L x 153mm H	17.1"W x 20"L x 6.0" H 433mm W x 511mm L x 153mm H
Product Weight	3.8 kg (14.8 lbs)	3.9kg (15.4 lbs)

Parts & Configuration



Typical install time: 30-60 minutes

Before Installation

Tools Needed

- Flat head screwdriver
- Phillips screwdriver
- Universal Wrench (included)
- Measuring tape

NOTE: The included Universal Wrench will work for most applications. Depending on your toilet configuration, an adjustable wrench may also be needed.

Alternate Mounting Hardware

Some toilets may not provide adequate access to the seat mounting holes preventing proper installation of the Standard Mounting Hardware.

In this case, you will need to use the Alternate Mounting Hardware and follow the enclosed instructions.

Check Water Supply Line

Check the line that connects the toilet tank to the water shut off valve. If it is a rigid pipe, you may need to purchase a flexible hose to replace it before installing the Swash 450 / 550. The length of the hose and the size of the connectors will vary.

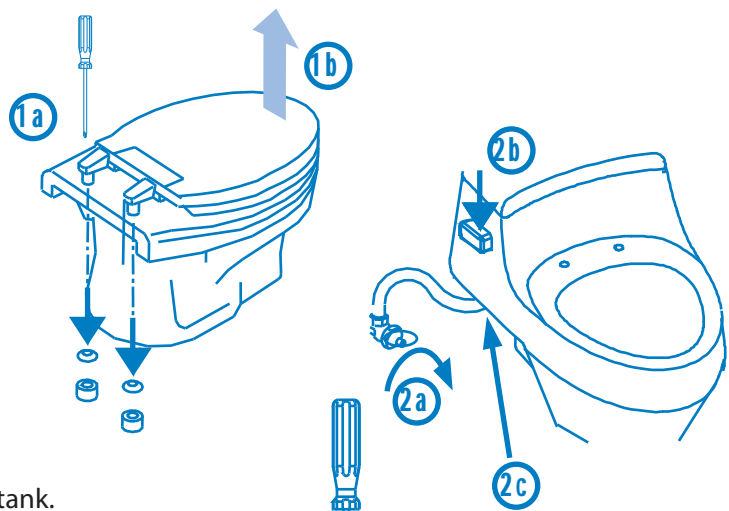
Installation

CAUTION Please read these instructions carefully before installing the Swash 450 / 550. **CAUTION**
Failure to do so could result in flooding, leaking, or damage to the product.

1) Remove Toilet Seat

- Lift hinge covers and use a screwdriver to remove the mounting bolts.
- Remove the toilet seat.

Steps may vary by type of seat.



2) Turn Water Off and Flush Toilet

You may wish to place a container under the tank to catch any leaking that could occur during installation.

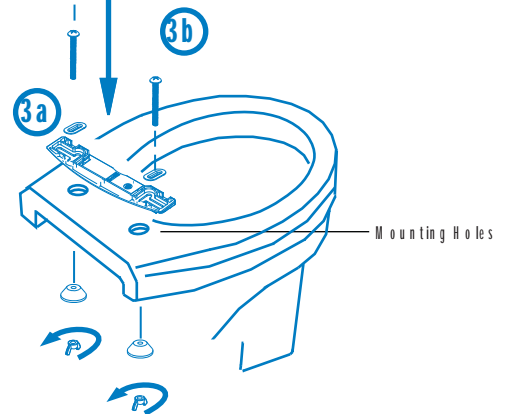
- Turn water valve off completely.
- Flush the toilet to empty the tank.
- Disconnect water supply line from toilet tank.

IMPORTANT: Do not continue without completing these steps! Failure to do so could result in flooding, leaking, or damage to the Swash 450 / 550.

3) Install Mounting Plate

NOTE: The following instructions are for standard Mounting Hardware. Refer to separate instructions for Alternate Mounting Hardware.

- Place Mounting Plate over mounting holes, flat side down, curve toward the back of toilet.
- Insert bolts through the Mounting Plate and loosely tighten the wingnuts. Make sure the crush washer is positioned with the tapered end up (see graphic).



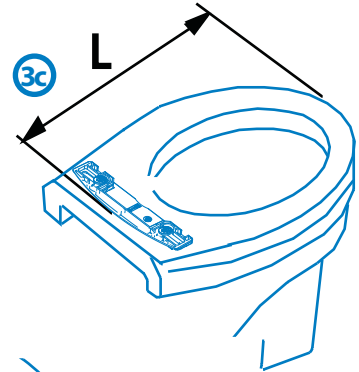
Installation (continued)

3) Install Mounting Plate (continued)

c) Adjust mounting plate so length (L) between the front of the toilet bowl and the back of the mounting plate is as follows:

Round (S450 / S550 - RW or RB): L = 18 1/4" (465 mm)
Elongated (S450 / S550 - EW or EB): L = 20 1/2" (495 mm)

d) Tighten Mounting Bolts with screwdriver until the mounting plate is securely fastened to the toilet.



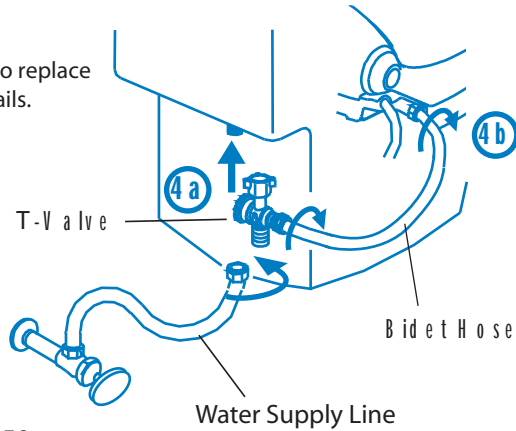
4) Connect T-Valve and Hoses

If your water supply line is rigid, you may need to replace it before continuing. See page 2 for further details.

a) Install the T-Valve between the water supply line & the toilet tank.

b) Place the Swash 450 / 550 on or beside the toilet and connect the Bidet Hose to the Swash 450 / 550.

IMPORTANT! Use wrench to tighten all connections before continuing. Failure to do so could result in flooding, leaking, or damage to the Swash 450 / 550.

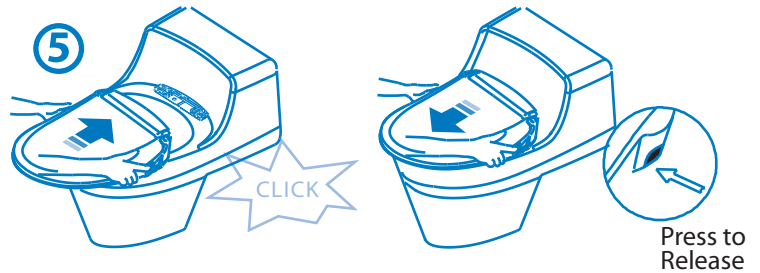


5) Attach the Swash 450 / 550

Slide the Swash 450 / 550 onto the mounting plate.

You will hear a "click" indicating the seat has been properly attached.

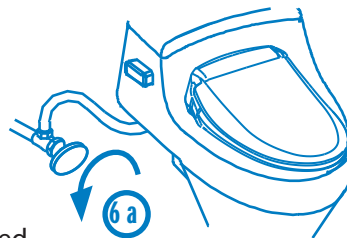
To release the Swash 450 / 550: push the button located on the right hand corner of the seat and gently pull.



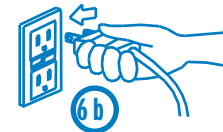
6) Turn On Water and Connect Power

a) Turn the water valve back on slowly. Ensure the connections are not leaking before continuing.

b) Make sure hands are dry. Insert the power plug into a grounded GFI outlet. The blue power LED will illuminate.



CAUTION: Only use a grounded GFI outlet!



Installation (continued)

7) Filling the Reservoir

Sit on the Swash 450 / 550 to activate the seat switch. Press one of the wash functions on the control. The reservoir will begin to fill. It will take between 20 and 40 seconds for the reservoir to fill completely.

When the reservoir is full, the wash wand will extend and begin to spray. Push STOP to cancel the wash function.

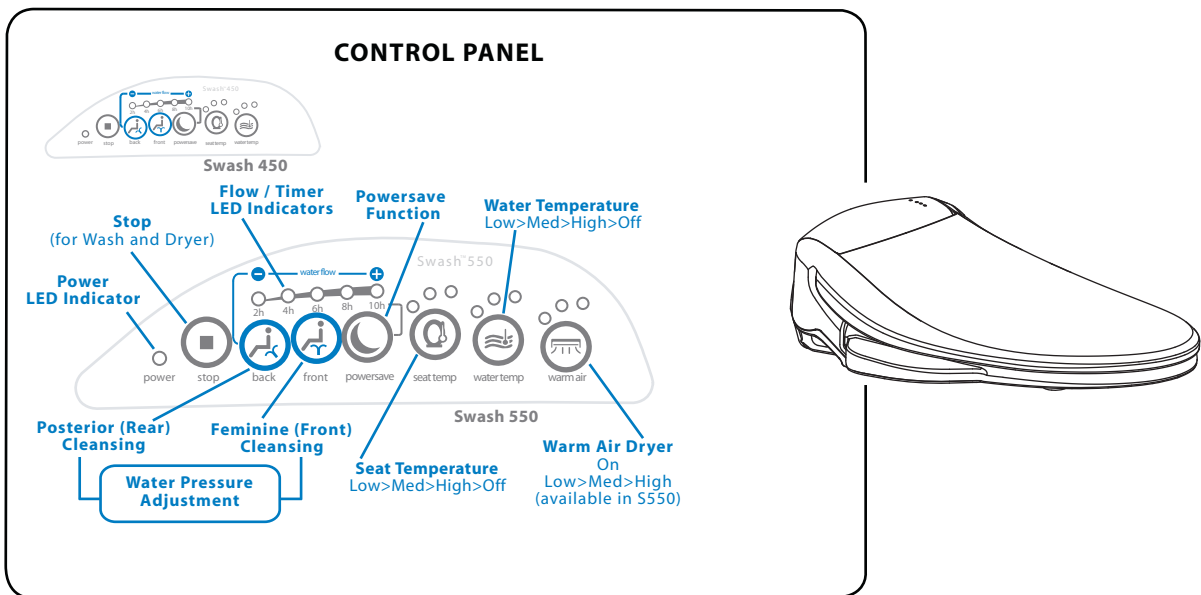
Your Swash is now ready for use!

Troubleshooting

	Issue	Possible Causes	Solution
1	Low water flow or pressure	1) Clogged filter 2) Twisted hose 3) Household water pressure low	1) Clean filter 2) Straighten the hose 3) Increase water pressure to the Swash
2	Nozzles do not function properly	1) Nozzles are dirty 2) Clogged filter 3) Water pressure is too low	1) Clean the nozzles 2) Clean the filters 3) Adjust water pressure
3	Nozzles fail to retract	Nozzles are dirty	Clean the nozzles
4	Washing feature does not work or fails to spray	1) User not properly seated 2) Seat Switch not contacting toilet fixture correctly	1) Adjust your sitting position 2) Make sure seat switch is contacting toilet bowl (switch is in seat foot)
5	Product shuts off during use	1) Washing time exceeded 5 minutes 2) Power failure	1) Repeat Cleaning function 2) Check power and/or unplug the cord to reset
6	Seat not heated	Seat temperature set to off	Reset heated seat temperature
7	Water not heated	Water temperature set to off	Reset heated water temperature
8	Water flow sporadic or inconsistent	Pulsating / Spa mode activated	Reset to normal washing mode
9	Dryer not working (available in S550)	Dryer only operates when activated by weight of person	Sit on product to operate Dryer

Operation

Some features of the Swash 450 / 550 are designed to function only when seat is occupied.



Getting Started

- Press FRONT or BACK button to fill the bidet tank.
- Wait a few minutes to allow the seat & bidet water to warm.

Using the Swash 450 / 550

Warm Water Washing:

Sit on the seat and press the FRONT or BACK button to begin water flow. Press the STOP button to discontinue the water flow.

Water Flow/Pressure Adjustment:

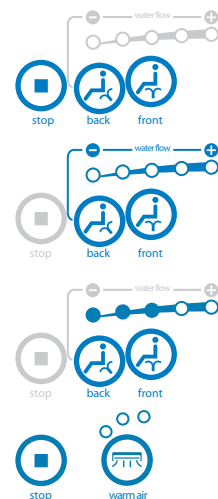
While seated, you may adjust the water pressure by pressing the FRONT or BACK button repeatedly until the desired pressure is reached. There are five levels of water pressure.

Pulsating Water Mode: (water pressure level must be at 3 or above)
To change to pulsating mode, press and hold the FRONT or BACK button for over 3 seconds. To deactivate and return to normal washing mode, repeat the above step.

Warm Air Dryer (available in S550):

Press the WARM AIR button to start the dryer. Press STOP to stop the dryer.

View of Side Control Panel



Operation (continued)

Adjusting Seat, Water, and Dryer Temperature

Adjusting Seat Temperature

Press SEAT TEMP button to adjust temperature. Repeat until desired level is achieved. There are four temperature levels: **low>medium>high>off**. No LED light up when seat heating is off. Each LED display represents one level increase.



Adjusting Water Temperature

Press WATER TEMP button to adjust temperature. Repeat until desired level is achieved. There are four temperature levels: **low>medium>high>off**. No LED light up when water heating is off. Each LED light display represents one level increase.



Adjusting Warm Air Dryer Temperature (available in S550)

While seated, press WARM AIR button to adjust temperature. Repeat until desired level is achieved. There are three temperature levels: **low>medium>high**. Each LED light display represents one level increase.



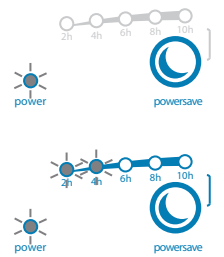
NOTE: Temperature settings are stored in memory according to last settings

Power Save Mode

You can turn off the seat and water warming features temporarily (between 2 - 10 hours) by initiating Powersave in the Swash 450 / 550. For longer periods of non-use, unplug the Swash 450/550 to conserve energy.

Setting Powersave Start and End Times

- Press the POWERSAVE button on the remote control for over 3 seconds. This will activate SETTING MODE and POWER LED will begin flashing.
- While in SETTING MODE, press the POWERSAVE button through the cycle (between 2 - 10 hours), each LED display light (located above the POWERSAVE button) represents an increment of 2 hours of powersave.
- Powersave mode will be engaged when buttons have not been pressed for 5 seconds. The POWER LED and FLOW / TIMER LED will flash continuously while the Swash 450/550 is in Powersave status.
- Powersave mode will cancel automatically, when the programmed Powersave duration (between 2 - 10 hours) is completed.



When Powersave is Operating

- Sitting on the Swash while it is in Powersave mode will not return the unit to normal operation.
- To return the Swash into normal operation, press either the STOP or POWERSAVE button once.
- The Swash will not re-enter into Powersave until user proceeds to set the powersave setting again.



Maintenance



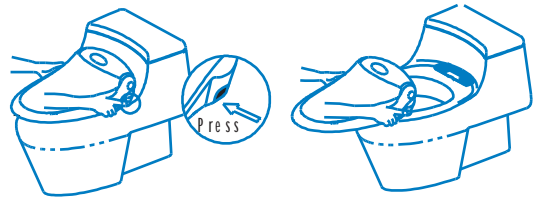
Always unplug the Swash 450 / 550 before cleaning!



Seat Cleaning and Removal

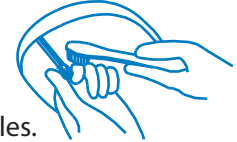
Use a soft, damp cloth and mild cleanser (such as dish soap) to wipe down the seat. DO NOT scrub or use harsh, abrasive products to clean the Swash 450 / 550.

For a more thorough cleaning, you may remove the Swash 450 / 550. To release, push the button located on the back right side of the seat and pull forward.



Nozzle Cleaning

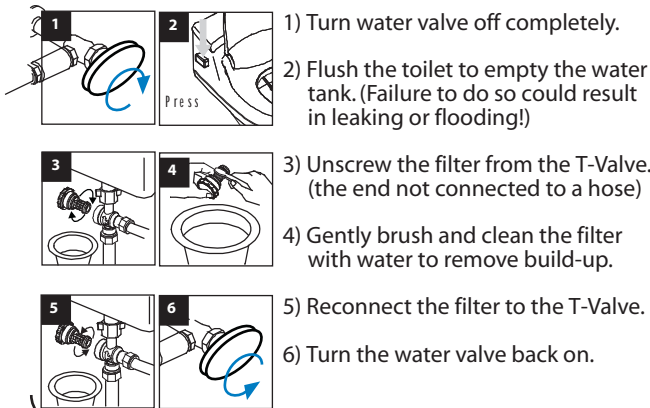
It is recommended that you clean the retractable nozzles monthly or as necessary. To clean the nozzles, pull them out gently and use a soft, damp brush or cloth to wipe down. DO NOT use soap or detergents to clean the nozzles.



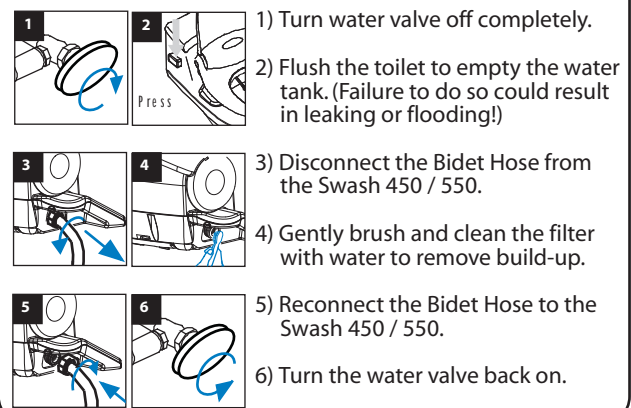
Filter Cleaning

For proper Swash 450 / 550 function, it is important to occasionally clean the filters. Frequency of cleaning depends on your local water supply. Clogged filters cause decreased water flow, affecting operation.

T-VALVE FILTER:



BIDET-HOSE FILTER:



**For other issues or questions, contact Brondell Customer Service:
1-888-542-3355**

Contact Information

Brondell Inc.
PO Box 470085
San Francisco, CA 94147-0085

Phone: 1-888-542-3355
E-mail: support@brondell.com
WEB: www.brondell.com

Warranty

The Swash 450 / 550 is covered by a one year warranty, valid from the original date of purchase.

Please complete & return the enclosed registration card to receive important product updates.