

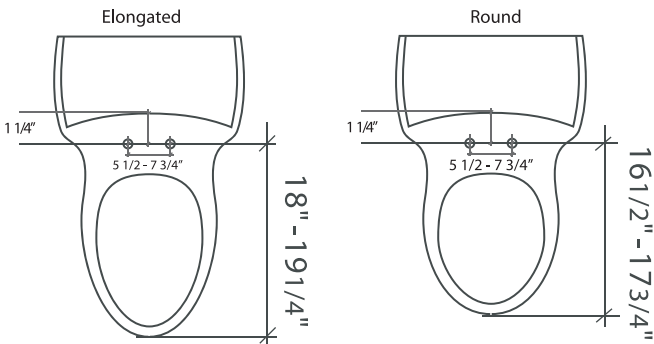
Swash® 800

S800 Round White / Biscuit
S800 Elongated White / Biscuit



Swash 800 Key Features:

- Gentle close seat & lid
- Made with germ resisting anti-microbial material
- Dual wand (front / rear cleansing)
- Self-cleaning nozzles
- Multi-level water pressure adjustment
- Multi-level water temperature adjustment
- Heated seat
- Multi-level seat temperature adjustment
- Programmable powersave mode
- Remote control
- Quick release seat for easy cleaning
- Warm air dryer with temperature adjustment
- Automatic sensing night light



Specifications

Swash 800

Hygiene	Posterior Wash	✓
	Feminine Wash	✓
	Pulsating Wash	✓
	Adjustable Water Pressure	✓
	Adjustable Water Temperature	✓
	Hygienic, Filtered Water	✓
	Germ Resistant Seat	✓
Comfort	Water Heater	Instant Heater
	Endless Warm Water	✓
	Gentle Closing Seat and Lid	✓
	Heated Seat (adjustable temperature)	✓
	Increased Seating Area	✓
Convenience	Warm Air Dryer	✓
	Safety On/Off Seat Sensor	✓
	Self-cleaning Nozzles	✓
	Quick Release Seat, Easy Cleaning	✓
	Energy Save Mode	✓
	Programmable Energy Save	✓
	Night Light	✓
	Personalized Controls	Wireless Remote
Universal Design	Fits over 98% of toilets	
Easy Installation (typical time)	Less than one hour	
Selection	White	S800-RW
	Biscuit	S800-RB
	Dimensions	15"W x 19"L x 6"H
	White	S800-EW
	Biscuit	S800-EB
	Dimensions	15"W x 20"L x 6"H
Specifications	Limited Warranty	3 Year
	Seat Temperature	Adjustable (3 Levels) 97°-104°(F)
	Water Temperature	Adjustable (3 Levels) 97°-104°(F)
	Air Dryer Temperature	Adj. (3 Levels)
	Power Cord Length	4 feet
	Maximum Power Consumption	1400W
	Power Supply	Standard AC 120V 60hz
	UL & cUL Certified (ORGZ.E244635)	✓
	IAPMO UPC Certified (File No.: 5074)	✓

Seat & Remote Dimensions

Round: 15"W x 19"L x 6"H
Elongated: 15"W x 20"L x 6"H



6"W x 4"H x 1"D

